

## 一、机壳部件 货号

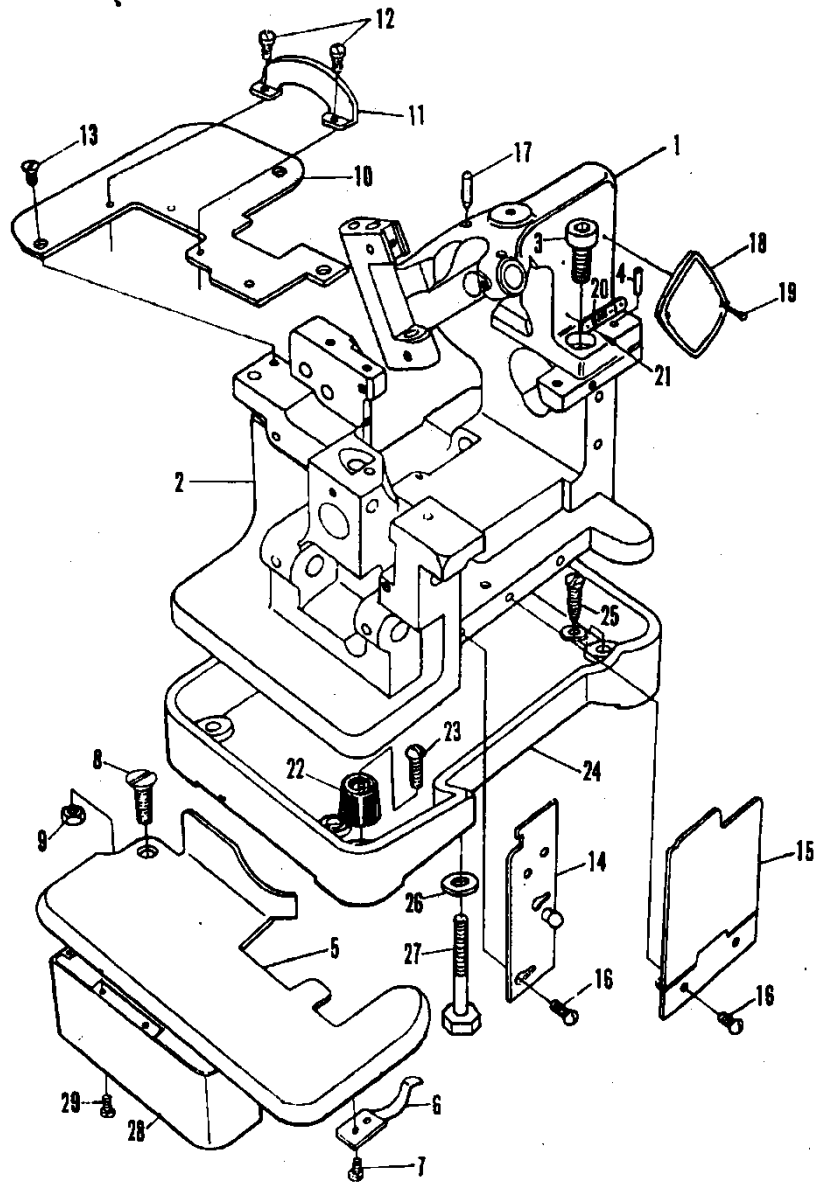
## I. FRAME COMPONENTS

序号	图号	名称	件数	备注	No. for Singer Model	Description
1	6A1-01	车壳	1			Machine Arm
2	6A1-02	机座	1			Machine Bed
3	6A1-04	机壳螺钉	2	M8 x 16GB70-76		Arm Screw
4	6A1-03	机壳衬	2	φ5 x 20GB117-66		Arm Pin
5	6A1-a 01	缝台	1		42145	Cloth Plate
6	6A1-a 05	缝台簧	1		42005	Cloth Plate Lock Spring
7	6A1-a 06	缝台簧螺钉	2		236	Cloth Plate Lock Spring Screw
8	6A1-05	缝台螺钉	1		1437	Cloth Plate Hinge Screw
9	6A1-06	缝台螺母	1		1655	Cloth Plate Nut
10	6A1-07	上壳罩	1		42029	Top Cover
11	6A3-29	开针牌	1		42018	Feed Regulator Indicator Plate
12	6A6-21	开针牌螺钉	2		1253	Feed Regulator Indicator Plate Screw
13	6A6-02	上罩壳螺钉	3	向下穿针线勾螺钉 同针板螺钉	742	Top Cover Screw
14	6A1-b	左罩板组件	1		42027	Left Cover Assembly
15	6A1-c	右罩板组件	1		42028	Right Cover Assembly
16	6A1-08	左右罩板螺钉	4		830	Left / Right Cover Screw
17	6A1-d	摆轴油管组件	1			Oscillating Shaft Oil Tube Assembly
18	6A1-15	商标牌	1			Trade Mark Plate
19	J0.0.80	商标牌钉	2	同JA1-1 商标钉		Trade Mark Plate Pin
20	6A1-18	机型号牌	1			Machine Model Plate
21	6A1-17	机型号钉	2	φ2 x 6GB 827-76		Machine Model Plate Pin

22	6A1-09	机头垫块	4		Machine Head Cushion
23	6A1-10	机头垫块螺钉	4		Machine Head Cushion Screw
24	6A1-11	油盘	1		Oil Reservoir
25	6A1-20	油盘紧固螺钉	3	螺钉 5 × 25GB100-66	Oil Reservoir Set Screw
26	6A1-12	机头紧固螺钉垫圈	1	φ8GB96 × 76	Machine Set Screw Washer
27	6A1-13	机头紧固螺钉	1	M8 × 65GB30-76	Machine Set Screw
28	6A1-a 02	下罩壳	1		Lower Cover
29	6A1-a 04	下罩壳螺钉	3		Lower Cover Screw

935

42003

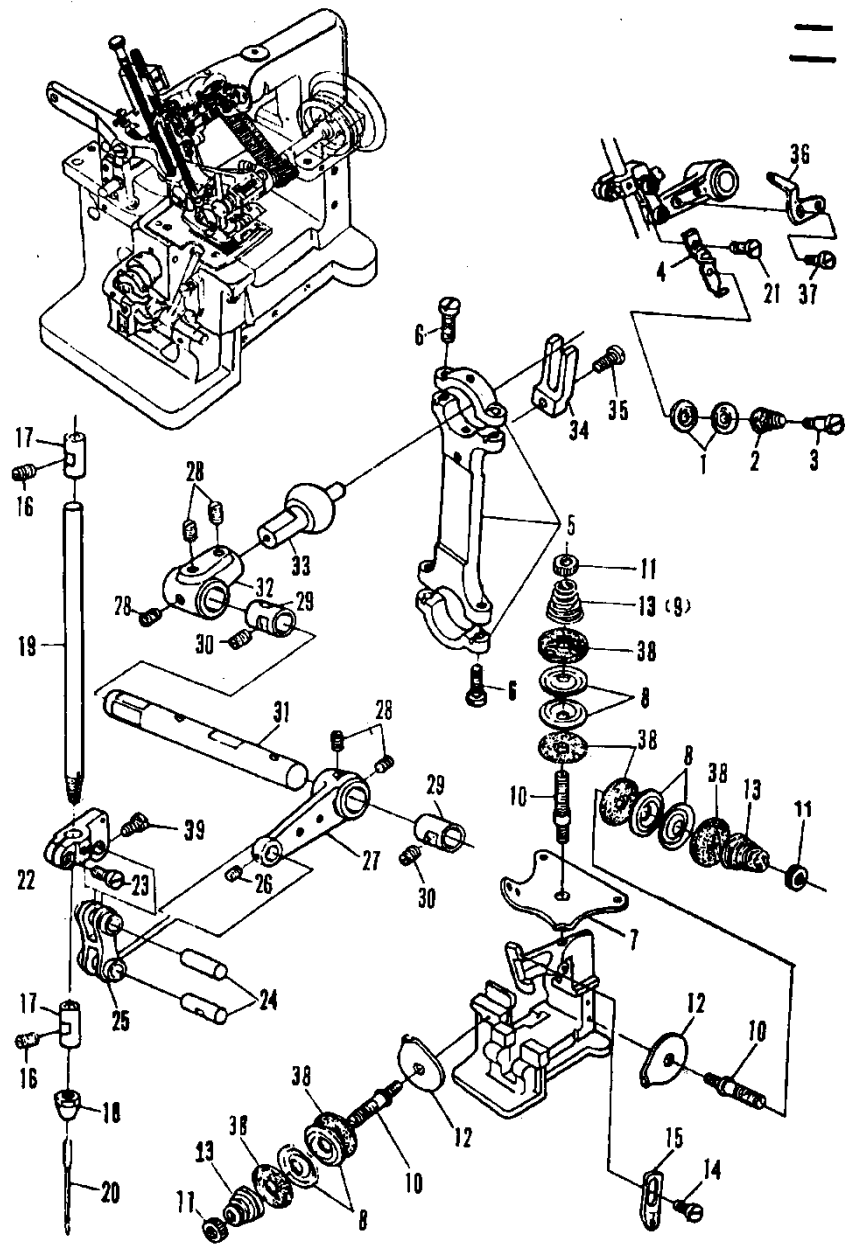


## 二、针杆过线部件

## II. NEEDLE BAR AND THREAD GUIDE COMPONENTS

序号	图号	名称	件数	备注	No. for Singer Model	Description
1	6A2-a 01	小夹线板	2		10106	Thread Retainer Thread Tension Disc
2	6A2-a 02	小夹线簧	1		10107	Thread Retainer Thread Tension Disc Spring
3	6A2-a 03	小夹线螺钉	1		93	Thread Retainer Screw
4	6A2-a 04	针杆过线架	1		42115	Thread Retainer Bracket
5	6A2-b	针杆连杆组件	1		42057	Needle Bar Connecting Rod Assembly
6	6A2-b 03	针杆连杆螺钉	4		1057	Needle Bar Connecting Rod Cap Screw
7	6A2-01	上过线板	1		42082	Upper Thread Guide
8	6A2-02	夹线板	6	网GN6/1-35	2102	Thread Tension Disc
9	6A2-03	夹线板簧	1		10148	Thread Tension Disc Spring
10	6A2-04	夹线螺钉	3		916	Thread Tension Screw Post.
11	J2.2.7	夹线螺母	3	网JA1-1 夹线螺母	1560	Thread Tension Regulation Nut
12	6A2-06	下过线板	2		17547	Lower Thread Guide
13	6A2-03	夹线簧	2			Lower Thread Tension Disc Spring
14	6A2-07	针杆过线板螺钉	1		217	Needle Bar Thread Guide Screw
15	6A2-08	针杆过线板	1		42096	Needle Bar Thread Guide
16	6A2-09	针杆套筒支头螺钉	2	SM4.5×40×5.5		Needle Bar Bushing Set Screw
17	6A2-10	针杆套筒	2		42253	Needle Bar Bushing
18	6A2-11	夹针螺母	1		1629	Needle Clamping Nut
19	6A2-12	针杆	1		42054	Needle Bar
20	6A2-13	机针	1		81×1	Needle
21	6A2-14	针杆过线架螺钉	1		228	Thread Retainer Bracket Screw

22	6A2-15	针杆接头	1	42061	Needle Bar Connector
23	6A2-16	针杆接头螺钉	1	175	Needle Bar Connector Screw
24	6A2-17	链条节销	2	40247	Connecting Link Pin
25	6A2-18	链条节	1	42055	Connecting Link
26	6A2-19	链条节销支头螺钉	1	904	Connecting Link Pin Set Screw
27	6A2-20	针杆曲柄	1	42104	Needle Bar Crank
28	6A2-21	针杆曲柄支头螺钉	2	1258	Needle Bar Crank Set Screw
29	6A2-22	摆轴曲柄螺钉	3	1258	Oscillating Shaft Crank Screw
30	6A2-09	摆轴套筒	2	132589	Oscillating Shaft Bushing
31	6A2-23	摆轴套筒螺钉	2		Oscillating Shaft Bushing Screw
32	6A2-24	摆轴	1	42105	Oscillating Shaft
33	6A2-25	摆轴曲柄	1	42103	Oscillating Shaft Crank
34	6A2-26	制弹子	1	42074	Ball Stud
35	6A2-27	止摆夹头	1	42077	Ball Stud Guide
36	6A2-28	止摆夹头螺钉	1	171	Ball Stud Guide Screw
37	6A6-19	挂线勾	1	42162	Thread Take-up
38	6A2-29	挂线勾螺钉	2	197	Thread Take-up Screw
39	6A2-17/1	压线板垫	6		Thread Tension Disc Pad
		链条节销螺钉	1		Connecting Link Pin Screw



### 三、抬牙送布部件

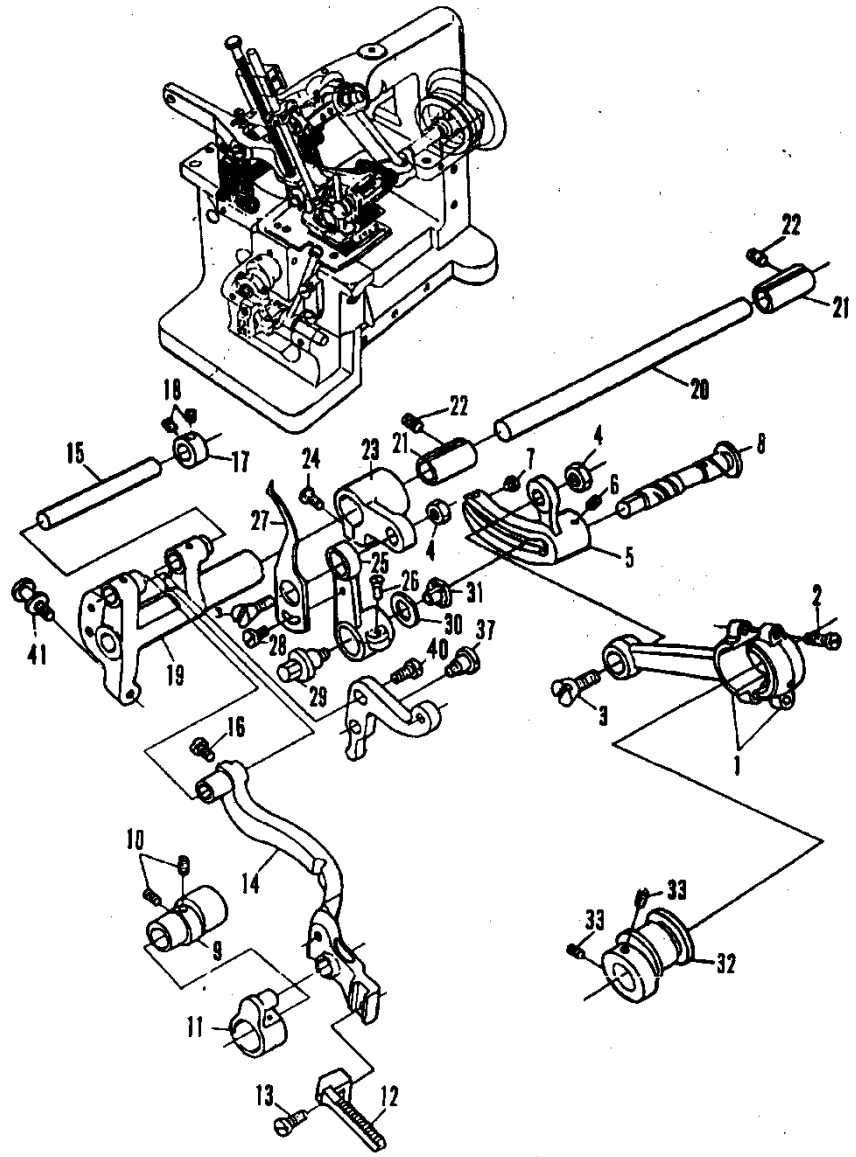
### III. FEED LIFTING AND FEED COMPONENTS

序号	图号	名称	件数	备注	No. for Singer Model	Description
1	6A3-a	送布牙架连杆组件	1		42008	Feed Bar Connecting Rod Assembly
2	6A2-b 03	送布牙架连杆螺钉	2	同杆连杆螺钉	1057	Feed Bar Connecting Rod Cap Screw
3	6A6-23	牙架连杆圆锥螺钉	1	同圆锥螺钉	1373	Feed Bar Connecting Rod Hinge Screw
4	6A6-23	抬牙架连杆圆锥螺钉	1		1373	Feed Lifter Connecting Rod Hinge Screw
4	6A6-24	牙架连杆圆锥螺母	1		1520	Feed Bar Connecting Rod Nut
4	6A6-24	抬牙架连杆圆锥螺母	1	同圆锥螺母	1520	Feed Lifter Connecting Rod Nut
5	6A3-10	大开针架	1		42014	Feed Regulator(large)
6	6A2-21	大开针架支头螺钉	2	同杆杆柄支头螺钉	1258	Feed Regulator(large) Set Screw
7	6A6-21	开针架限位螺钉	1	同下弯针线勾螺钉	233	Feed Regulator(large) Stop Screw
8	6A3-30	大开针架轴	1		42016	Feed Regulator(large) stud
9	6A3-03	抬牙上刀凸轮	1		42012	Feed Lifting / Upper Knife Cam
10	6A3-03/2	抬牙上刀凸轮螺钉	2	JA1.1/10.0.68	462	Feed Lifting / Upper Knife Cam Screw
11	6A3-04	抬牙连杆	1		42013	Feed Lifting Connection
12	6A3-01	送布牙	1		42182	Feed Dog
13	6A5-26	送布牙螺钉	1	同JA1.1面盖过线架螺钉	190	Feed Dog Screw
14	6A3-02	送布牙架	1		42151	Feed Bar
15	6A3-05	牙架轴	1		42007	Feed Bar Pin
16	6A3-07	牙架轴支头螺钉	1		1253	Feed Bar Pin Set Screw
17	6A3-08	牙架轴套圈	1			Feed Bar Pin Thrust Collar
18	6A4-a 07	牙架轴套圈螺钉	2			Feed Bar Pin Thrust Collar Screw
19	6A3-06	摇牙架	1		42154	Feed Bar Rocking Bracket



20	6A3-09	大开架芯轴	1	42098	Feed Bar(large) Spindle
21	6A6-16	开口套筒	2	42079	Feed Bar(large) Spindle Bushing
22	6A2-21	开口套筒螺钉	2	1036	Bushing Screw
23	6A3-25	抽牙架轧头	1	42021	Feed Lifter Crank
24	J0.0.45	抽牙架轧头螺钉	1	157	Feed Lifter Crank Screw
25	6A3-27	抽牙架连杆	1	42015	Feed Lifter Connecting Rod
26	6A3-27/1	抽牙架连杆小螺钉	1	1012	Feed Lifter Connecting Rod Clamping Screw
27	6A3-28	针距指针	1	42017	Feed Regulator Indicator
28	6A5-26	号码针螺钉	1	190	Feed Regulator Indicator Screw
29	6A3-13	针距螺钉	1	1374	Feed Regulating Screw
30	6A3-12	针距螺钉垫圈	1	19044	Feed Regulating Screw Washer
31	6A3-14	针距螺母	1	1680	Feed Regulating Screw Nut
32	6A3-15	送布凸轮	1	42011	Feed Cam
33	6A3-16	送布凸轮螺钉	2	453	Feed Cam Screw
34	6A3-23	小开针架夹紧螺钉	1	190	Feed Regulator(small) Clamping Screw
35	6A3-24	小开针架调节螺钉	1	1444	Feed Regulator(small) Regulating Screw

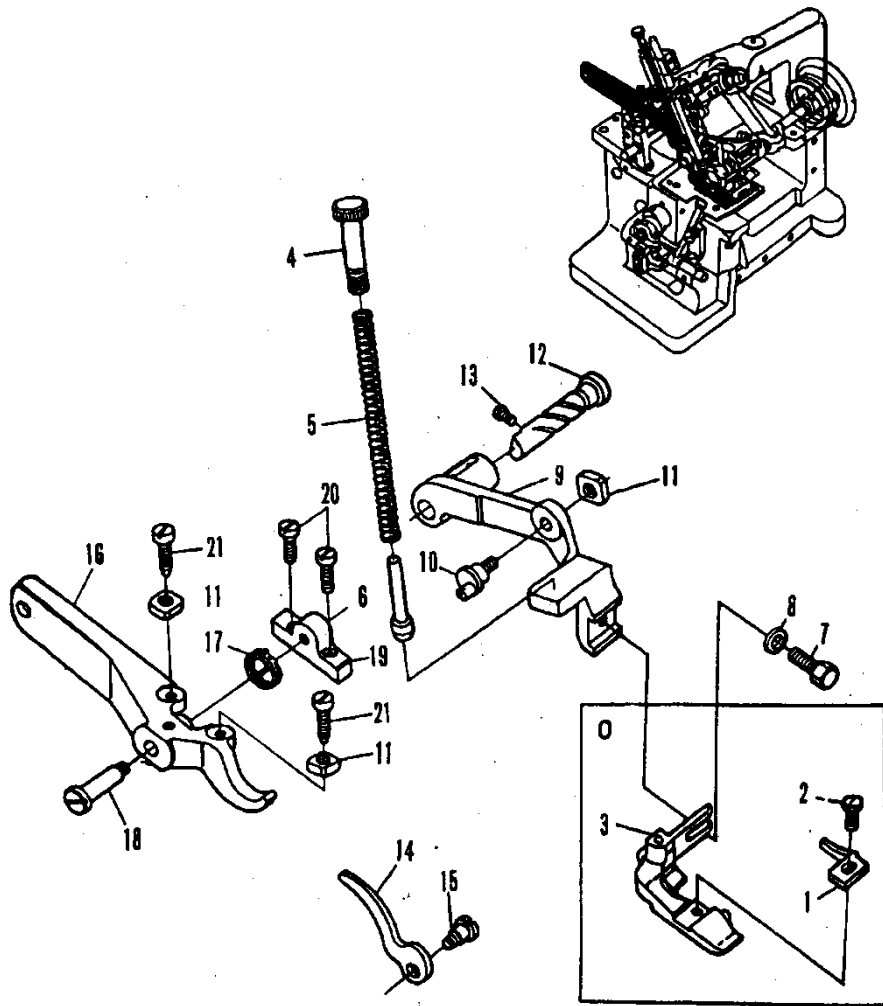
三、



#### 四、压脚部件

序号	图号	名称	件数	备注	No. for Singer Model	Description
0	6A4-a	压脚组件	1		42185	Presser Foot Assembly
1	6A4-a 01	缝纫导块	1			Stitch Finger
2	6A6-21	缝纫导块螺钉	1			Stitch Finger Screw
3	6A4-a 02	压脚体	1			Presser Foot
4	6A4-01	调压螺钉	1		1378	Pressure Regulating Thumb Screw
5	6A4-02	压簧簧	1		42071	Pressure Spring
6	6A4-03	压簧杆	1			Presser Bar
7	6A4-04	压紧螺钉	1		1324	Presser Foot Screw
8	6A4-05	压脚螺钉垫圈	1		19044	Presser Foot Screw washer
9	6A4-06	压脚架	1		42069	Presser Foot Holder
10	6A4-07	抬压偏心螺钉	1		1377	Presser Lifting Eccentric Screw
11	6A4-18	抬压偏心螺母	1		1547	Presser Lifting Eccentric Screw Nut
12	6A4-18	抬压杠杆调节螺母	2	同抬压偏心螺母	1547	Presser Lifting Lever Regulating Screw Nut
13	6A4-08	压脚架轴	1		42045	Presser Foot Holder Stud
14	6A4-09	压脚架轴支头螺钉	1		1120	Presser Foot Holder Stud Screw
15	6A4-10	压脚板手	1		42070	Presser Foot Lifting Handle
16	6A4-11	压脚板手螺钉	1		85	Presser Foot Lifting Handle Screw
17	6A4-12	抬压杠杆	1		42130	Presser Lifting Lever
18	6A4-13	抬压杠杆簧	1		42132	Presser Lifting Lever Spring
19	6A4-14	抬压杠杆螺钉	1		1301	Presser Lifting Lever Screw
20	6A4-15	抬压杠杆座	1		42131	Presser Lifting Lever Base
21	6A4-16	抬压杠杆座螺钉	1		1229	Presser Lifting Lever Base Screw
22	6A4-17	抬压杠杆调节螺钉	2		1148	Presser Lifting Lever Regulating Screw

四、



21 0445-17 机械零件图 机械零件图 机械零件图

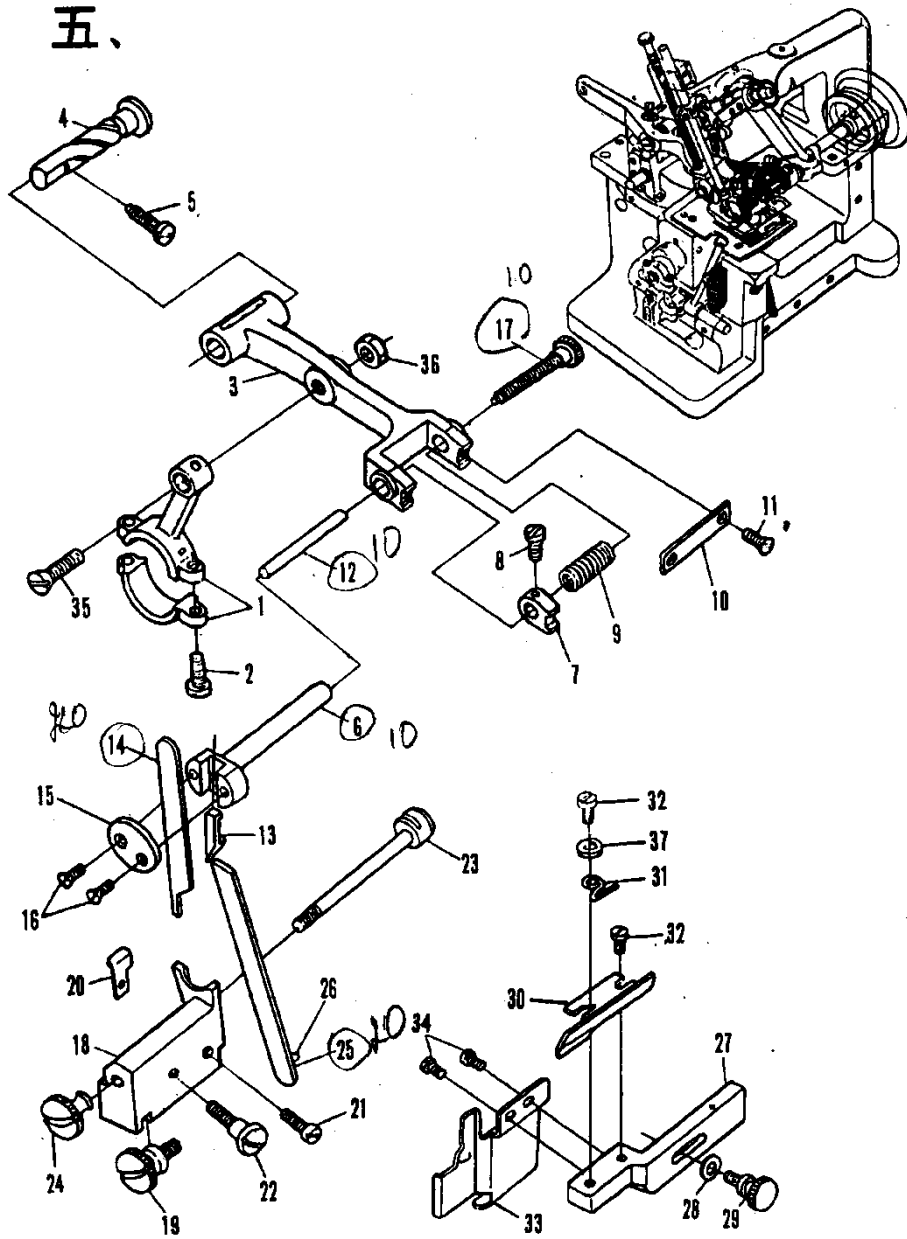
V. KNIFE HOLDER COMPONENTS

五、刀架部件

序号	图号	名称	件数	备注	No. for Singer Model	Description
1	6A5-a	上刀连杆组件	1		42043	Upper Knife Connecting Rod Assembly
2	6A5-a-03	上刀连杆螺钉	2		175	Upper Knife Connecting Rod Cap Screw
3	6A5-01	上刀架	1		42042	Upper knife Bracket
4	6A4-08	上刀架轴	1	同压脚架轴	42045	Upper knife Bracket Stud
5	6A4-17	上刀架轴定位螺钉	1	同抬压杆调节螺钉	1148	Upper Knife Bracket Stud Set Screw
6	6A5-02	上刀座	1		42035	Upper Knife Holder
7	6A5-03	上刀座导套	1		42038	Upper Knife Holder Guide Bushing
8	6A2-14	导套螺钉	1	同杆杆过线架螺钉	336	Upper Knife Holder Guide Bushing Position Screw
9	6A5-05	上刀座调节簧	1		42041	Upper Knife Holder Pressure Regulating Spring
10	6A5-06	上刀座导板	1		42039	Upper Knife Holder Guide Plate
11	6A5-11	上刀座导板螺钉	2	同上刀座螺钉(短)	621	Upper Knife Holder Guide Plate Screw
12	6A5-07	挺刀肖	1		42040	Upper Knife Extension Pin
13	6A5-08	上刀垫	1		42112	Upper Knife Spacer
14	6A5-09	上刀	1		42111	Upper Knife
15	6A5-10	上刀量	1		42037	Upper Knife Cap
16	6A5-11	上刀量螺钉	2		404	Upper Knife Cap Screw
17	6A5-12	挺刀螺钉	1	19004		Upper Knife Extension Pin Regulating Screw
18	6A5-13	下刀架	1		42156	Lower Knife Bracket
19	6A5-14	下刀架调节螺钉	1		1376	Lower Knife Bracket Regulating Screw
20	6A5-15	护针板	1		42066	Needle Guard
21	6A2-27	护针板螺钉	1	同止摆关头螺钉	171	Needle Guard Screw

22	6A5-16	下刀架螺钉	1	1101	Lower Knife Baacket Screw
23	6A5-17	下刀座	1	42048	Lower Knife Holder
24	6A5-18	下刀座螺母	1	1534	Lower Knife Holder Nut
25	6A5-19	下刀	1	42046	Lower Knife
26	6A5-20	下刀柄	1	42049	Lower Knife Shank
27	6A5-21	栏刀架	1	42102	Upper Knife Supporter Bracket
28	6A5-22	栏刀架螺母	1		Upper knife Supporter Regulating Screw Washer
29	6A5-23	栏刀架螺钉	1	283	Upper Knife Supporter Regulating Screr
30	6A5-24	栏刀板	1	42030	Upper Knife Supporter
31	6A5-25	右罩板簧	1	42101	Right Side Cover Lock Spring
32	6A5-26	栏刀板螺钉	2	190	Right Side Cover Lock Spring Screw
33	6A5-27	罩板	1	42153	Cover
34	6A2-07	罩板螺钉	2	217	Cover Screw
35	6A6-23	上刀连杆圈螺母	1	1373	Upper Knife Connecting Rod Hinge Screw
36	6A6-24	上刀连杆圈螺母	1	1520	Upper Knife Connecting Rod Hinge Screw Nut
37	6A5-25/1	右罩板簧垫圈	1		Right Side Cover Lock Spring Washer

五、





### 六、上下弯针部件

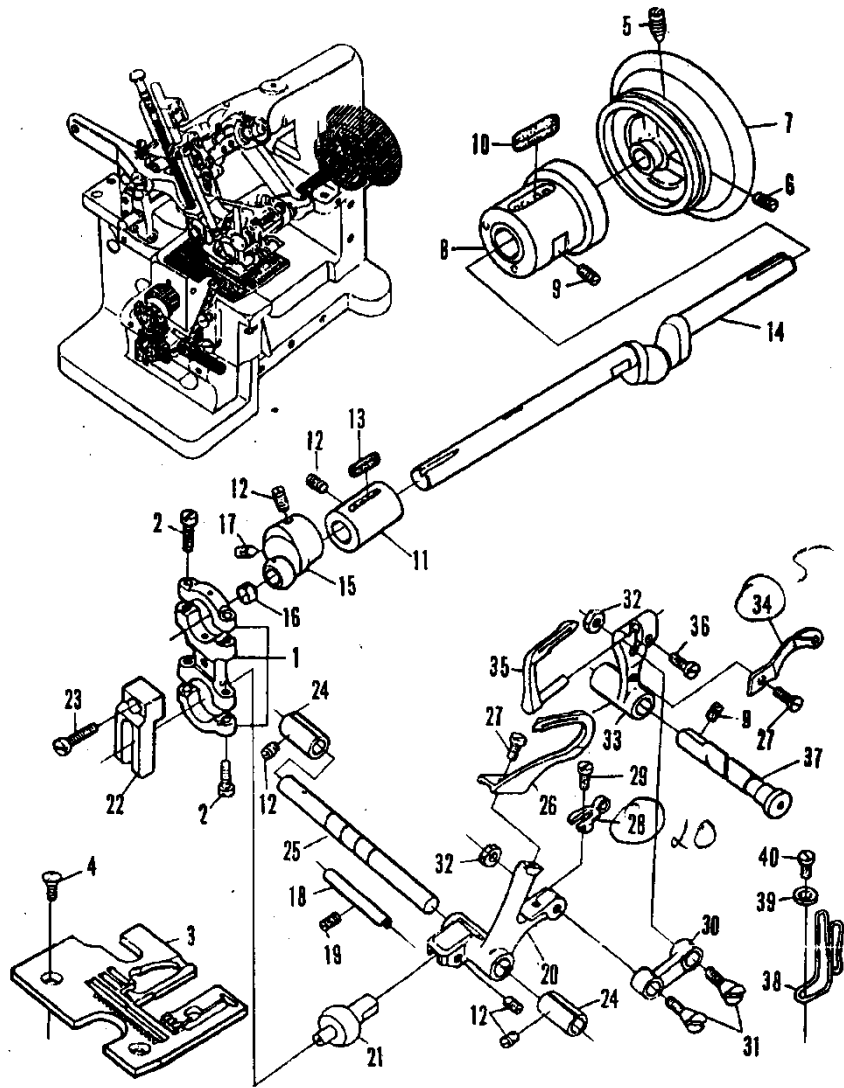
### IV. UPPER/LOWER LOOPER COMPONENTS

序号	图号	名称	件数	备注	No. for Singer Model	Description
1	6A6-a	上针连杆组件	1		42075	Upper Looper Connecting Rod Assembly
2	6A2-b 03	上针连杆螺钉	4	四针杆连杆螺钉	1057	Upper Looper Connecting Rod Cap Screw
3	6A6-01	针板	1		42186	Throat Plate
4	6A6-02	针板螺钉	2		742	Throat Plate Screw
5	6A6-03	轮盘定位螺钉	1		1354	Hand Wheel Position Screw
6	6A6-04	轮盘支头螺钉	1		424	Hand Wheel Set Screw
7	6A6-05	轮盘	1		42001	Hand Wheel
8	6A6-06	后查筒	1		42026	Main Shaft Bushing(back)
9	6A2-21	后查筒螺钉	1	四针杆曲柄支头螺钉	1036	Main Shaft Bushing(back) Screw
10	6A6-07	下弯针架轴螺钉	1	四后查筒螺钉	1036	Lower Looper Holder Stud Screw
11	6A6-08	前查筒	1		42024	Main Shaft Bushing(front)
12	6A2-21	前查筒螺钉	1		1036	Main Shaft Bushing (front) Screw
13	6A2-21	上针曲柄螺钉	1		1259	Upper Looper Crank Screw
14	6A2-21	开口查筒螺钉	2		1036	Upper Looper Holder Shaft Bushing Screw
15	6A6-09	前查筒油毡	1		1259	Upper Looper Holder Screw
16	6A6-10	主轴	1		42023	Main Shaft Bushing(front) Oil Felt
17	6A6-11	上针曲柄	1		42025	Main Shaft
18	6A6-12	上针曲柄油毡	1		1375	Upper Looper Crank
19	6A6-13	上针曲柄定位螺钉	1			Upper Looper Crank Oil Felt
						Upper Looper Crank Position Screw



18	6A6-14	过线管	1		42084	Thread Tube
19	6A2-09	过线管螺钉	1	同针杆套筒支头螺钉		Thread Tube Screw
20	6A6-15	上弯针架	1		42073	Upper Looper Holder
21	6A2-25	铜弹子	1	同铜弹子	42074	Ball Stud
22	6A2-26	止摆夹头	1	同止摆夹头	42077	Ball Stud Guide
23	6A2-27	止摆夹头螺钉	1	同止摆夹头螺钉	171	Ball Stud Guide Screw
24	6A6-16	开口套筒	2		42079	Upper Looper Holder Shaft Bushing
25	6A6-17	上弯针架轴	1		42078	Upper Looper Holder Shaft
26	6A6-18	上弯针	1		42166	Upper Looper
27	6A6-19	上弯针螺钉	1		197	Upper Looper Screw
28	6A6-20	下弯针线勾	1		42083	Lower Looper Thread Guide
29	6A6-21	下弯针线勾螺钉	1		233	Lower Looper Thread Guide Screw
30	6A6-22	下弯针架连杆	1	同GB11548轴销轴套圆螺母	42052	Lower Looper Holder Link
31	6A6-23	下弯针架连杆圆螺母	2		378	Lower Looper Holder Link Hinge Screw
32	6A6-24	圆螺母	2		1520	Lower Looper Holder Link Hinge Screw Nut
33	6A6-25	下弯针架	1		42051	Lower Looper Holder
34	6A6-26	上弯针线勾	1		42127	Upper Looper Thread Take-up
35	6A6-27	下弯针	1		42114	Lower Looper
36	6A6-28	下弯针夹紧螺钉	1		209	Lower Looper Clamping Screw
37	6A6-29	下弯针架轴	1		42053	Lower Looper Holder Stud
38	6A6-30	上弯针过线	1		42093	Upper Looper Thread Guide
39	6A6-31	上弯针过线螺钉装置	1			Upper Looper Thread Guide Screw Washer
40	J0.0.72	上弯针过线螺钉		同JA1-1	190	Upper Looper Thread Guide Screw

六、



## 七、附件、线架部件

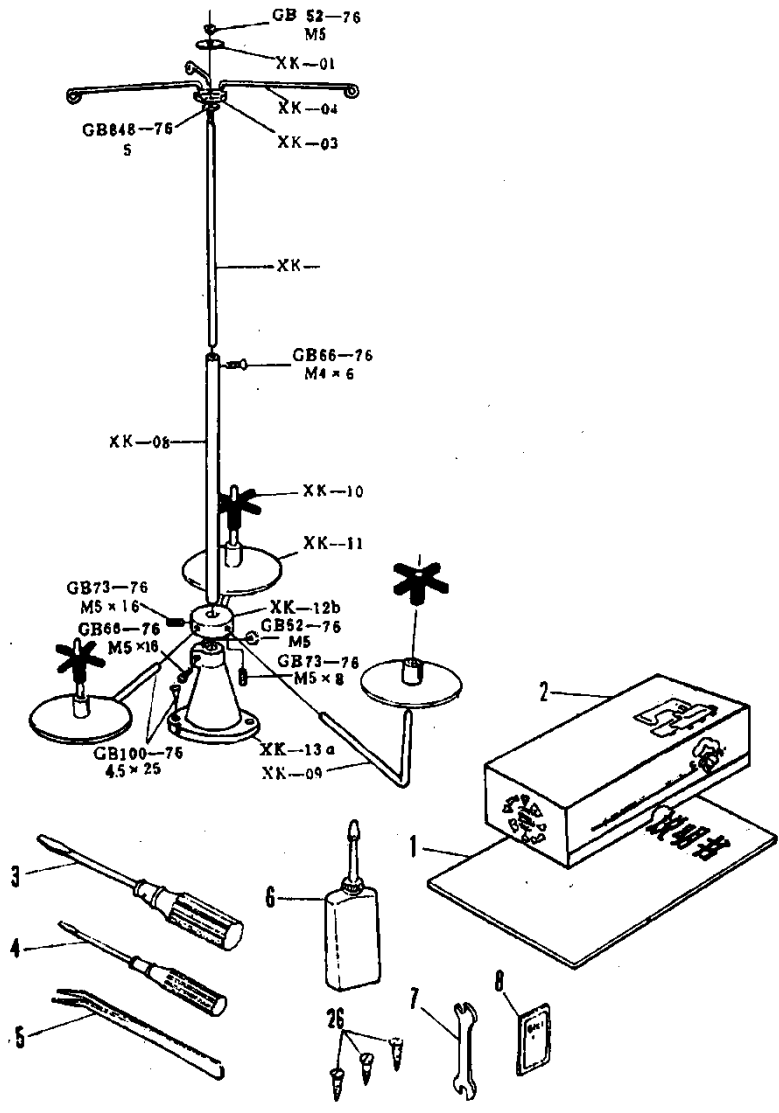
## VII. THREAD STAND COMPONENTS

序号	图号	名称	件数	Description	备注
1		说明书	1	Instruction Book	
2		零件盒	1	Attachments Box	
3		大号螺丝批	1	Screw Driver(large)	
4		小号螺丝批	1	Screw Driver(small)	
5		穿线锥	1	Tweezer	
6		油壶	1	Oiler	
7		小扳手	1	Wrench	
8		机针	10枚	Needle	型号: 81 X 1 针号: 11
9	XK-01	线勾压板	1	Thread Eyelet Platen	
10	XK-03	线勾托板盘	1	Thread Eyelet Pallet	
11	XK-04	单环线勾	3	Thread Eyelet	
12	XK-05	上立柱	1	Thread Stand Rod(upper)	
13	XK-08	下立柱	1	Thread Stand Rod(lower)	
14	XK-09	线团打	3	Spool Pin	
15	XK-10	线团定心节	3	Spool Stoper	
16	XK-11	线盘	3	Spool Seat Disc	
17	XK-12b	线团钉接头	1	Spool Pin Joint	
18	XK-13a	线架座(塑料件)	1	Thread Stand Base	

表 2.4

序号	代号	名称	件数	Description	备注
19	GB52-76	六角螺母	2	Hexagon Nut	M5
20	GB73-76	平端固定螺钉	3	Headless Set Screw	M5x8
21	GB73-76	平端固定螺钉	1	Headless Set Screw	M5x16
22	GB66-76	球面圆帽头螺钉	1	Ball Head Cap Screw	M4x6
23	GB66-76	球面圆柱头螺钉	1	Ball Head Cap Screw	M5x16
24	GB100-76	沉头木螺钉	3	Counter Sunk Head Wood Screw	4.5x25
25	GB95-76	垫圈	1	Washer	φ5
26		木螺钉	3	Wood Screw	

七、

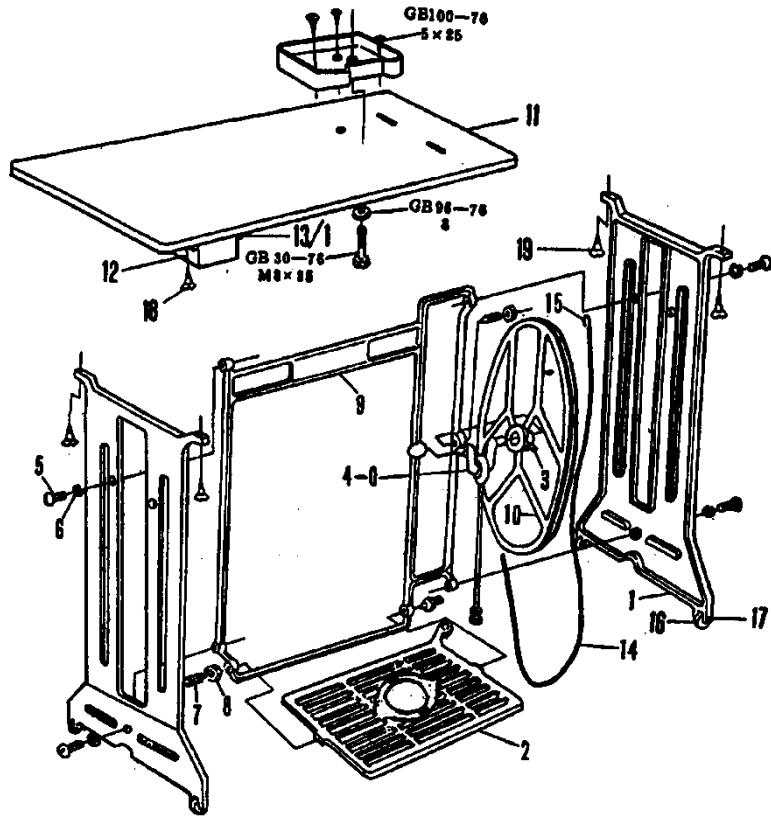


### 八、机架部件

### Ⅷ. TABLE STAND COMPONENTS

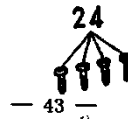
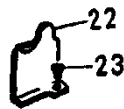
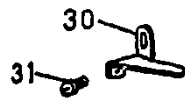
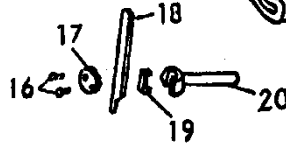
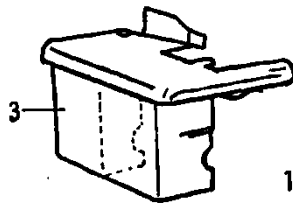
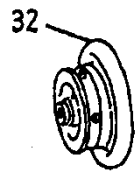
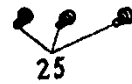
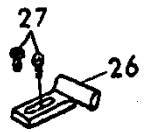
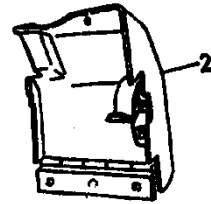
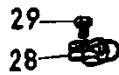
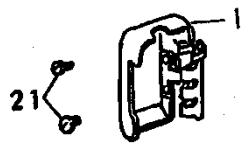
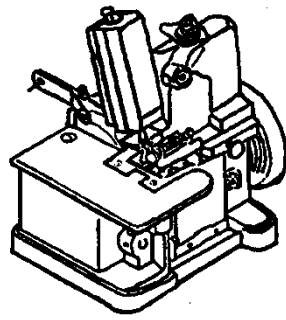
序号	图号	名称	件数	Description	备注
1	1	边架	2	Table Stand	
2	2	踏板	1	Pedal	
3	3	下带轮螺钉	1	Belt Pulley Set Screw	
4	4-0	插杆组件	1	Rock Lever Assembly	
5	5	边架螺钉	4	Table Stand Screw	
6	6	边架弹簧垫圈	4	Table Stand Spring Washer	
7	7	方架顶尖螺钉	3	Frame Screw Center	
8	8	方架顶尖螺母	3	Frame Screw Center Nut	
9	9	方架	1	Frame	
10	10	下带轮	1	Belt Pulley	
11	11	台板	1	Table	
12	12	抽斗	1	Drawer	
13	13/1	抽斗导轨	2	Drawer Rail	
14	14	皮带	1	Belt	
15	15	皮带扣	1	Belt Fastener	
16	16	边架小轮	4	Table Stand Truck	
17	17	小轮轴	4	Table Stand Truck Pin	通GB867-76
18	18	抽斗导轨木螺钉4×32	4	Drawer Rail Wood Screw	GB100-76
19	19	拾板木螺钉台5×25	4	Table Wood Screw	GB100-76

八、



2

3





## GN1-113 GN1-6 型零件目录

## NUMERICAL LIST OF PARTS FOR MACHINE GN1-113 GN1-6

序号	图号	名称	件数	
No.	Ref.No.		Quantity	DESCRIPTION
1	1-1-4-0	上罩壳部件	1	Needle Bar Comple to
2	1-1-5-0	后罩壳部件	1	Frame Bar Cover Complete
3	1-1-3-0	缝台部件	1	Cloth Plate Complete
4	1-2-02	下弯针过线板	1	Tension (looper lefthand) Thresde Guide
5	1-4-01	压脚体	1	Presser Foot Complete
6	1-6-01	针板	1	Throat Plate
7	1-6-02	大针曲柄	1	Frame Rotary Shaft Crank Position Screw
8	1-3-01	大开针架	1	Feed (front) Regulator With two 6A2-21
9	1-5-01	上刀连杆	1	Knife (movable) lever
10	1-6-06	曲轴	1	Frame Rotary Shaft
11	1-6-05	大弯针过线	1	Thread (looper. right hand) Staple
12	1-5-07	下刀架	1	Knife (Stationary) Holder
13	1-5-10	下刀	1	Knife (Stationary) With Stud
14	1-5-08	下刀压板	1	Knife (Stationary) With Stud
15	1-5-09	下刀压板螺钉	1	Feed (back) Dog Screw
16	1-5-06	上刀盖螺钉	2	Knife (movable) Holder Cap Screw
17	1-5-05	上刀盖	1	Knife (movable) Holder Cap
18	1-5-04	上刀	1	Knife (movable)
19	1-5-03	上刀垫	1	Knife (movable) Gib
20	1-5-02	上刀座	1	Knife (movable) Holder
21	1-1-4-05	上罩壳螺钉	2	Needle Bar Cover Set Screw
22	1-1-09	前罩壳	1	Frame Top Cover
23	6A2-b03	针杆连杆螺钉	1	Frame Top Cover Screw
24	1-1-13	避震垫块螺钉	4	Machine Cushion Screw
25	6A3-18	小牙齿螺钉	3	Framo Back Cover Bracket Screw
26	1-1-06	止回块	1	Frame Back Cover Catch Bracker
27	GB6-1 1-1-4	止回块螺钉	2	Frame Back Cover Catch Bracker Screw
28	1-2-01	摆轴曲柄	1	Needle Bar Crank (back) With three 6A2-21
29	1-2-03	摆轴曲柄螺钉	1	Needle Bar Crank (back) Ball Stud Set Screw
30	1-1-08	下弯针过线罩板	1	Thread (Looper. left hand) Guide
31	6A3-18	小牙齿螺钉	2	Thread (Looper. left hand) Guide Bracket Screw
32	1-6-03	轮盘	1	Balanco Wheel With